

LXW32 series micro-switch

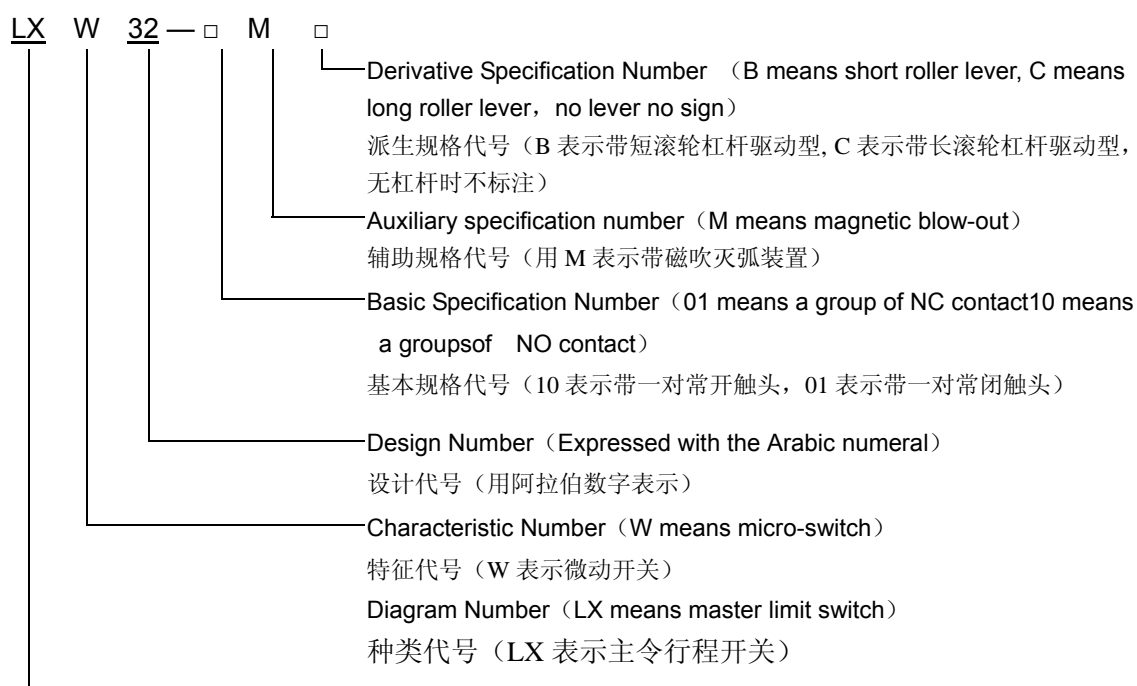
LXW32 系列微动开关

LXW32 series micro-switch is our new product which can replace the same kind of the import ones. The product's quality and Technical specification all achieves the advanced level. This kind of switch is apply to AC 50HZ,voltage to 380V DC voltage to 220V control or auxiliary circuit. .It plays limit-protection、 signal and interlocking role in the circuit, . to control inductive load in the circuit.

LXW32 系列微动（行程）开关是我厂研制的新产品，可替代进口的同类产品，触头动作灵敏、可靠、精度高、寿命长、外形美观。该产品的质量技术指标 50Hz、电压至 380V，直流电压至 220V 的控制或辅助电路中，作控制、信号、联锁之用的微动开关。该产品广泛应用于机械、电气等电路中，作为电磁铁或感性负载的控制。

① The style sketch

产品分类



② specification

技术参数

rated insulation voltage 额定绝缘电压	AC 380V
rated working voltage 额定工作电压	AC 380V、DC 250V/125V
rated working current 额定工作电流	AC-12 10A、DC-12 250V/2A 125V/6A (t=20ms)
power-frequency withstand voltage 工频耐压	2500VAC
contact resistance 接触电阻	≤30 mΩ
Mechanical life(cycles) 机械寿命 (次)	>300,000 cycles
Electrical life(cycles) 电气寿命 (次)	≥10,000 cycles

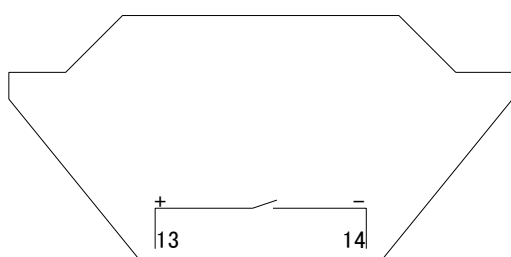
③Authorization

产品认证

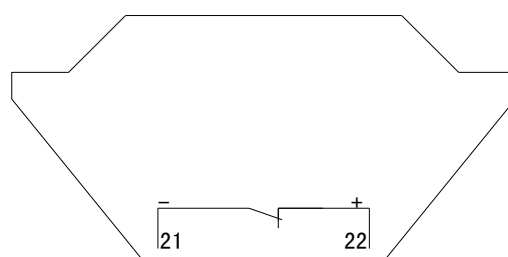
CCC
Ith:10A
AC-12 250~380V 10A
DC-12 220~250V 2A
DC-12 125V 6A

④Wiring diagram

接线形式



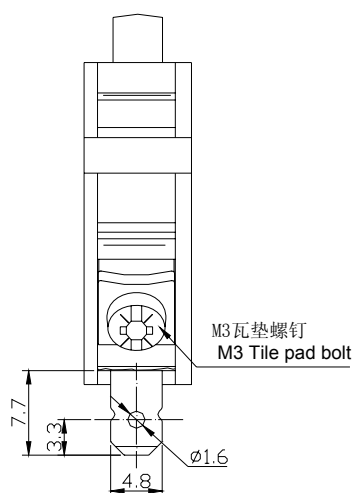
LXW32-10M



LXW32-01M

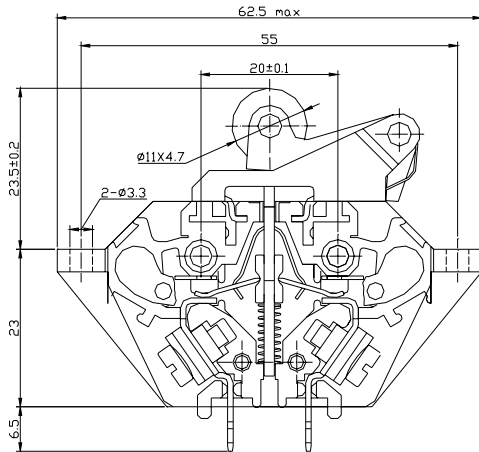
⑤Terminal diagram

接线端子形式

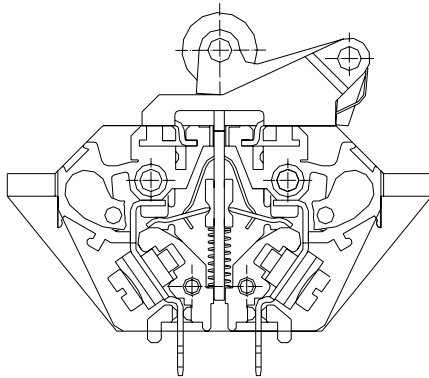


⑥ DIMENSIONS AND FIXING SIZE

外形与安装尺寸及技术参数

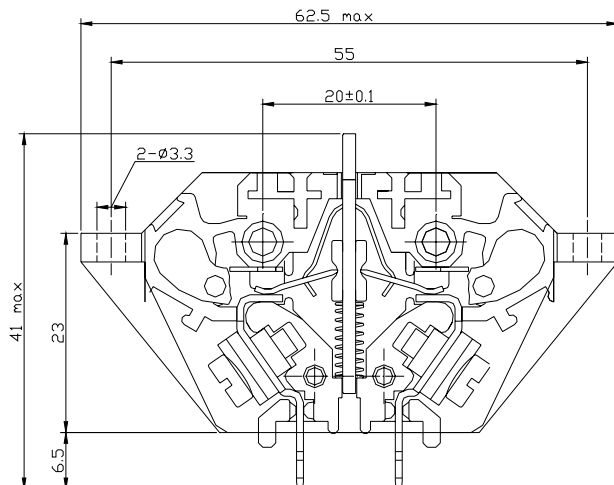


LXW32-01MB	
OF	3.4±0.5 N
RF ≥	1.5 N
PT	1.9±0.2 mm
TT	4±0.2 mm
注：机座颜色为宝蓝 The color of body is blue	

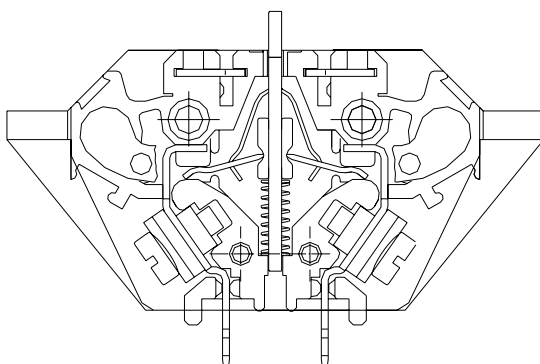


LXW32-10MB	
OF	4±0.5 N
RF ≥	1.5 N
PT	2.4±0.2 mm
TT	4±0.2 mm
注：机座颜色为黄色 The color of body is yellow	

图 1 LXW32-01/10MB

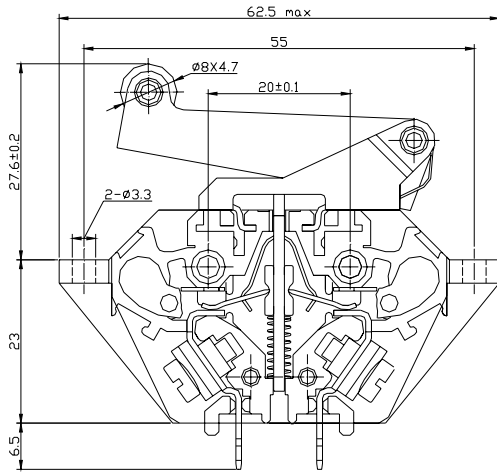


LXW32-01M	
OF	2.2±0.5 N
RF >	0.5 N
FP <	13 mm
OP	10.5±0.5 mm
TT	4.6±0.3 mm
注：机座颜色为宝蓝、白色 The color of body is blue、white	

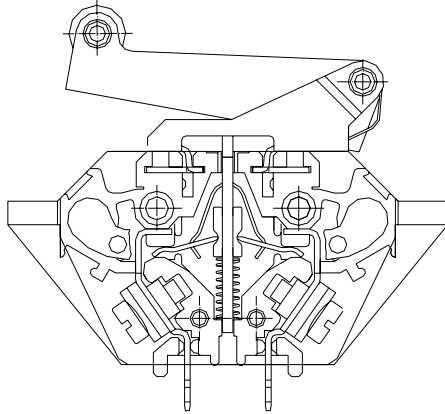


LXW32-10M	
OF	2.2±0.5 N
RF >	0.5 N
FP <	13 mm
OP	10.5±0.5 mm
TT	4.6±0.3 mm
注：机座颜色为黄色、绿色 The color of body is yellow、green	

图 3 LXW32-01/10M

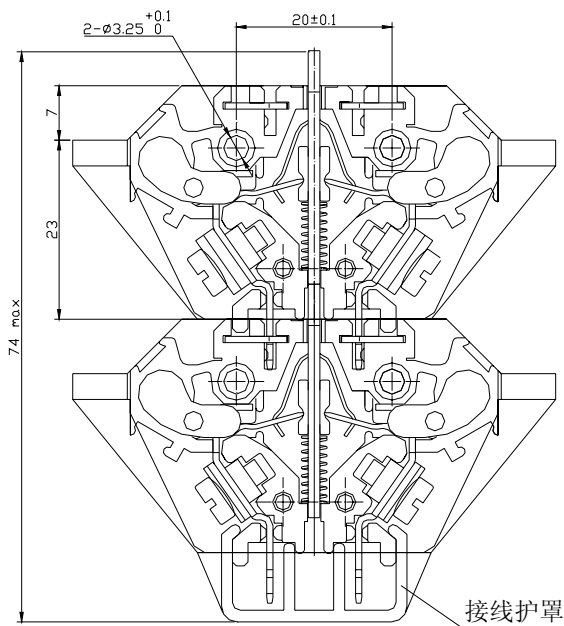


LXW32-01MC	
OF	1.7±0.5 N
RF ≧	0.5 N
PT	4.1±0.5 mm
TT	7.1±0.2 mm
注：机座颜色为宝蓝 The color of body is blue	



LXW32-10MC	
OF	2±0.5 N
RF ≧	0.5 N
PT	4.1±0.5 mm
TT	7.1±0.2 mm
注：机座颜色为黄色 The color of body is yellow	

图 2 LXW32-01/10MC

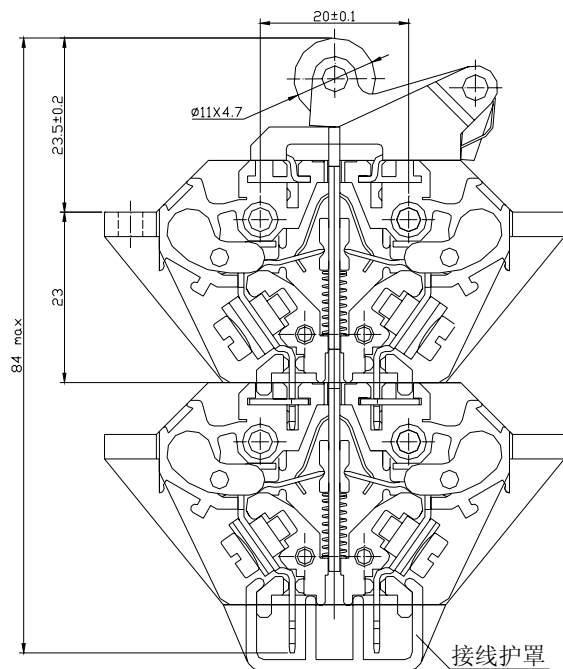


LXW32-01M	
OF	4±0.5 N
RF >	0.5 N
FP <	13 mm
OP	10.5±0.5 mm
TT	4.6±0.5 mm
注：机座颜色为宝蓝、白色 The color of body is blue、white	

LXW32-10M	
OF	4±0.5 N
RF >	0.5 N
FP <	13 mm
OP	10.5±0.5 mm
TT	4.6±0.5 mm
注：机座颜色为黄色、绿色 The color of body is yellow、green	



图 4 LXW32-01/10M
注：开关连接个数可按客户要求而定
the combination type can be custom-made



LXW32-01MB	
OF	4±0.5 N
RF >	0.5 N
FP <	13 mm
OP	10.5±0.5 mm
TT	4.6±0.5 mm
注：机座颜色为宝蓝、白色 The color of body is blue、white	

LXW32-10MB	
OF	4±0.5 N
RF >	0.5 N
FP <	13 mm
OP	10.5±0.5 mm
TT	4.6±0.5 mm
注：机座颜色为黄色、绿色 The color of body is yellow、green	

图 5 LXW32-01/10MB(双联)
注：开关连接个数可按客户要求而定
the combination type can be custom-made