

LXW34 series micro-switch

LXW34 系列微动开关

LXW34 series micro-switch is our new product which can replace the same kind of the import ones. The product's quality and Technical specification all achieves the advanced level. This kind of switch is apply to AC 50HZ, voltage to 250V DC voltage to 30V control or auxiliary circuit. It plays limit-protection, signal and interlocking in the circuit.

LXW34 系列微动（行程）开关是我厂研制的新产品，可替代进口的同类产品，触头动作灵敏、可靠、精度高、寿命长，外形美观，并具有各种用途的辅助促动件，也可以按用户的特殊需要设计制造各种不同形状的辅助促动件，该产品的质量技术指标均达到进口同类产品的先进水平。LXW34 系列微动（行程）开关适用于交流 50Hz、电压至 250V，直流电压至 30V 的控制或辅助电路中，作控制、信号、连锁之用的微动开关

Structure Feature:

结构特点

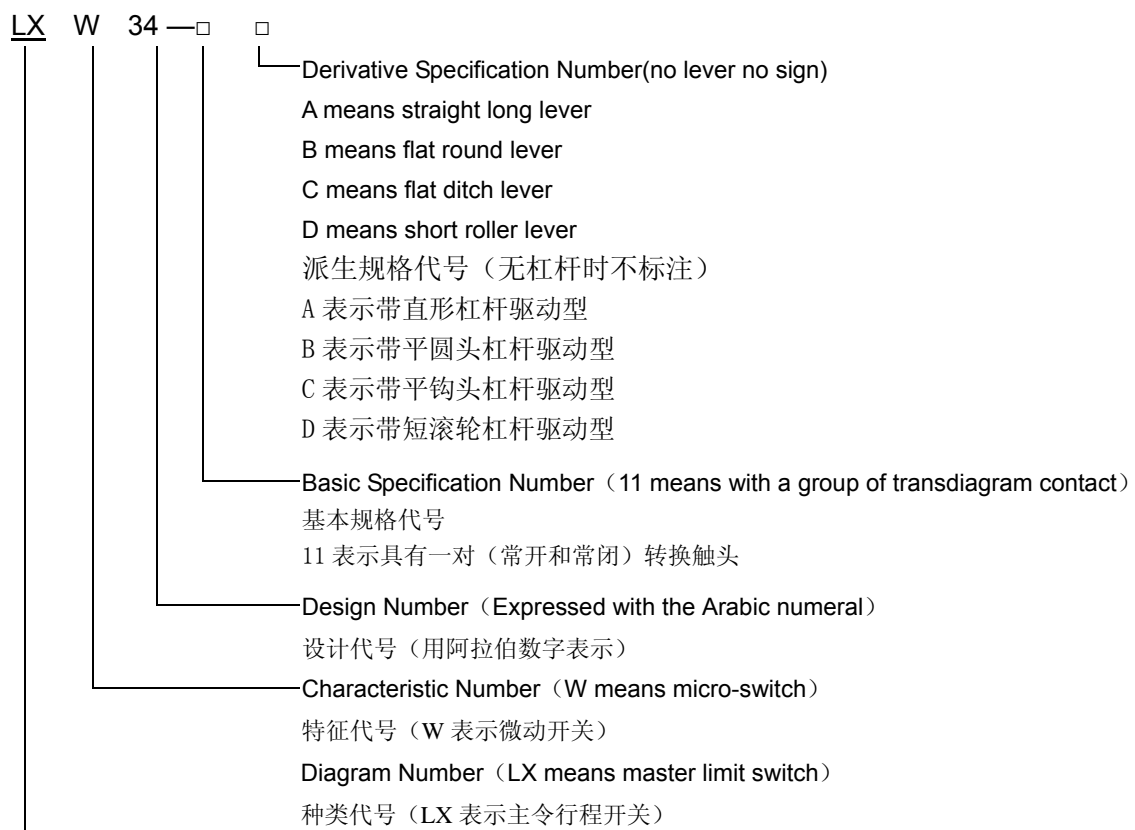
There is a group of single break contact in the internal of switch. The contact use silver、silver alloy、silver-plated and gold plated which is suitable for small current. The switch actuation diagram is divided the plunger, the release lever and the hoop release lever and so on. (Protective level: IP

65,not including the metal terminal outside.)

LXW34 系列微动（行程）开关内部具有一组单断点转换触头，其触头分为银或银合金触点，及适用微小电流的镀金银触点，弹性元件用铍青铜制成，具有较好外壳防护能力和自动复位的密封型结构。接线方式为插套或焊接。防护等级为 IP65（金属端子露出部位除外）。

① The style sketch

产品分类



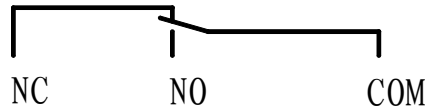
②specification

技术参数

rated insulation voltage 额定绝缘电压	250V
rated working voltage 额定工作电压	AC 250V、DC 30V
rated working current 额定工作电流	AC-15 1A、DC-13 0.3A gild contact is 0.1A
power-frequency withstand voltage 工频耐压	2000VAC
contact resistance 接触电阻	≤30 mΩ
Mechanical life(cycles) 机械寿命 (次)	>300,000
Electrical life(cycles) 电气寿命 (次)	≥100,000 cycles

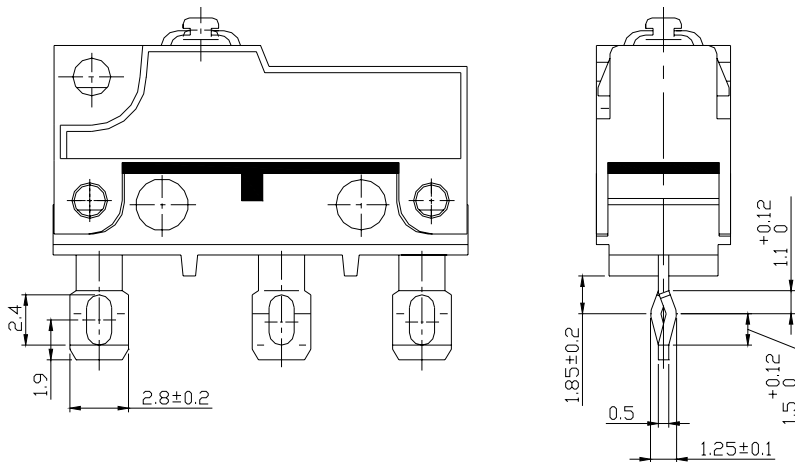
[③Wiring diagram](#)

接线形式



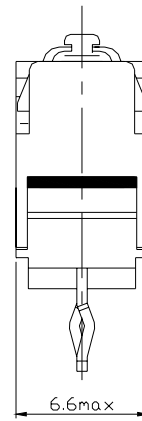
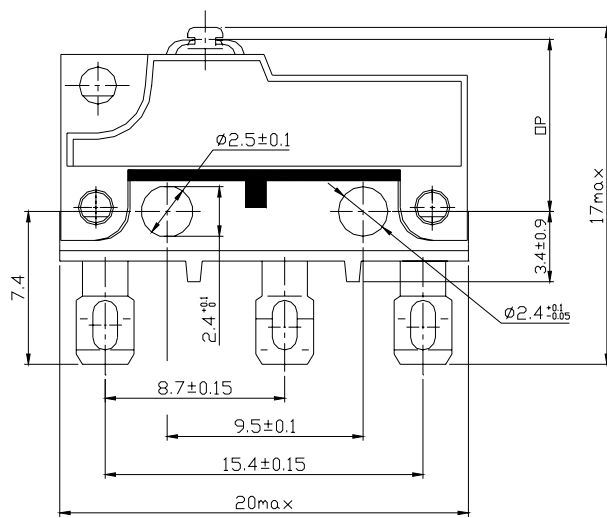
[④Terminal diagram](#)

接线端子形式



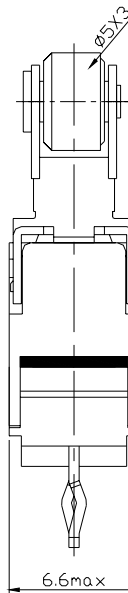
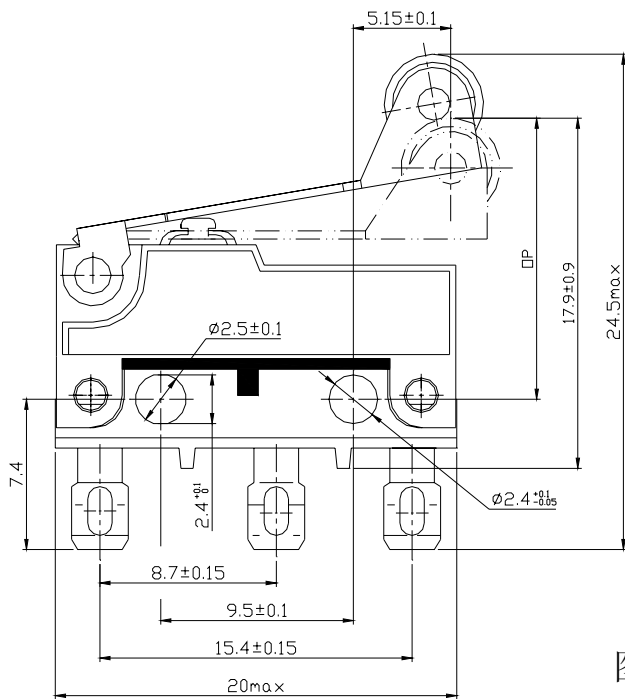
[⑤DIMENSIONS AND FIXING SIZE](#)

外形与安装尺寸及技术参数



OF	≤	0.98 N
RF	≥	0.15 N
OT	≥	0.4 mm
MD	≤	0.1 mm
OP		8.4±0.8 mm

图1 LXW34-11



OF	≤	0.39 N
RF	≥	0.03 N
OT	≥	0.8 mm
MD	≤	0.5 mm
OP		14.5±0.8 mm

图2 LXW34-11D